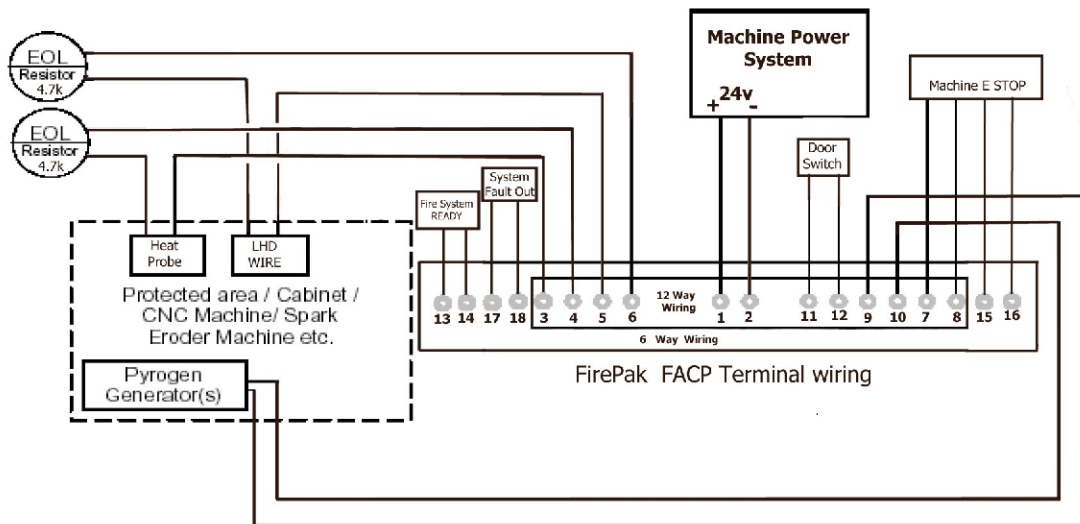


Both the Pyrogen Generator & the heat Sensor are terminated back to the FirePak FACP Control Panel, which once a signal is received from the sensor, will activate Alarms/Sounders, Main fire control systems & the Pyrogen Generator.



<p>FirePak Oil and Gas Industries 7171 Harwin Dr Suite 316 Houston Tx 77036 P 713 952 1996 F 713 952 1997</p>	<p>Product Name. CNC/ Spark Eroder Enclosure Protection System</p> <p>File Name: FIREPAK FACP Date: July 5, 2006</p>
--	---